



30W Public Address Amplifier

OPERATING INSTRUCTIONS

A 4020: 30W Desk Mount Amplifier

FEATURES

- 1 balanced microphone input
- 2 auxiliary inputs
- Bass and treble controls (on both microphone and auxiliary inputs).
- Full 30W RMS output (100V).
- Protection against over-voltage, over current, thermal run-away and short circuit load.
- Internationally accepted IEC mains socket (240V AC operation only).
- Stereo RCA sockets for all auxiliary inputs (configured to mono internally allowing standard stereo equipment to be directly connected).
- Ten year warranty.

CONNECTING UP THE UNIT

Microphone One

Microphone inputs are connected via balanced XLR 3 pin socket. For connection to the 3 pin XLR sockets refer to Fig 1.

Auxiliary Inputs

Both auxiliary inputs are connected via standard RCA sockets.

Speaker Outputs

Screw terminals are provided for 100V outputs. Minimum impedance for 100V loads is 333Ω (When only the 100V output is used).

If more than 30W is used then the unit may shut down due to overloading.

VOX Muting Adjustments

VOX can be selected ON or OFF on the board via the internal jumper. This is factory set in the OFF position. VOX sensitivity is adjusted via trimpot on rear of unit.

Once VOX muting is activated input 1 will override input 2. Both mic 1 and aux 1 inputs will activate the vox muting.

OPERATION

Once all inputs and outputs are connected:

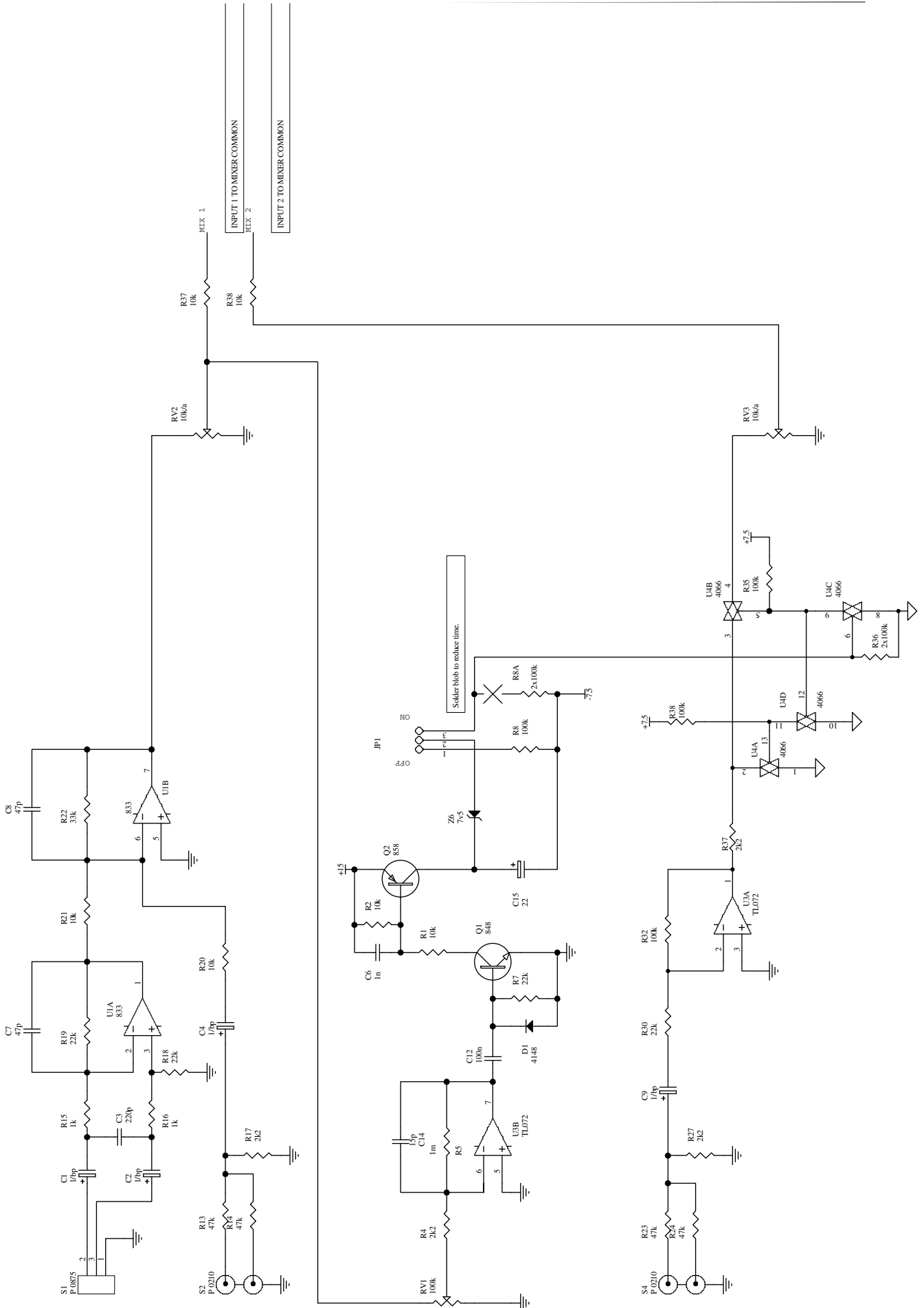
- 1 Turn bass and treble to midway point.
- 2 Turn all volume controls to zero.
- 3 Turn power switch on. Power indicator should illuminate.
- 4 Turn on microphone or auxiliary input source and adjust appropriate volume control to desired level.

The microphone and auxiliary for input 1 are mixed together. Both the mic and auxiliary inputs can be run together but note there is only the one volume control for both of these.

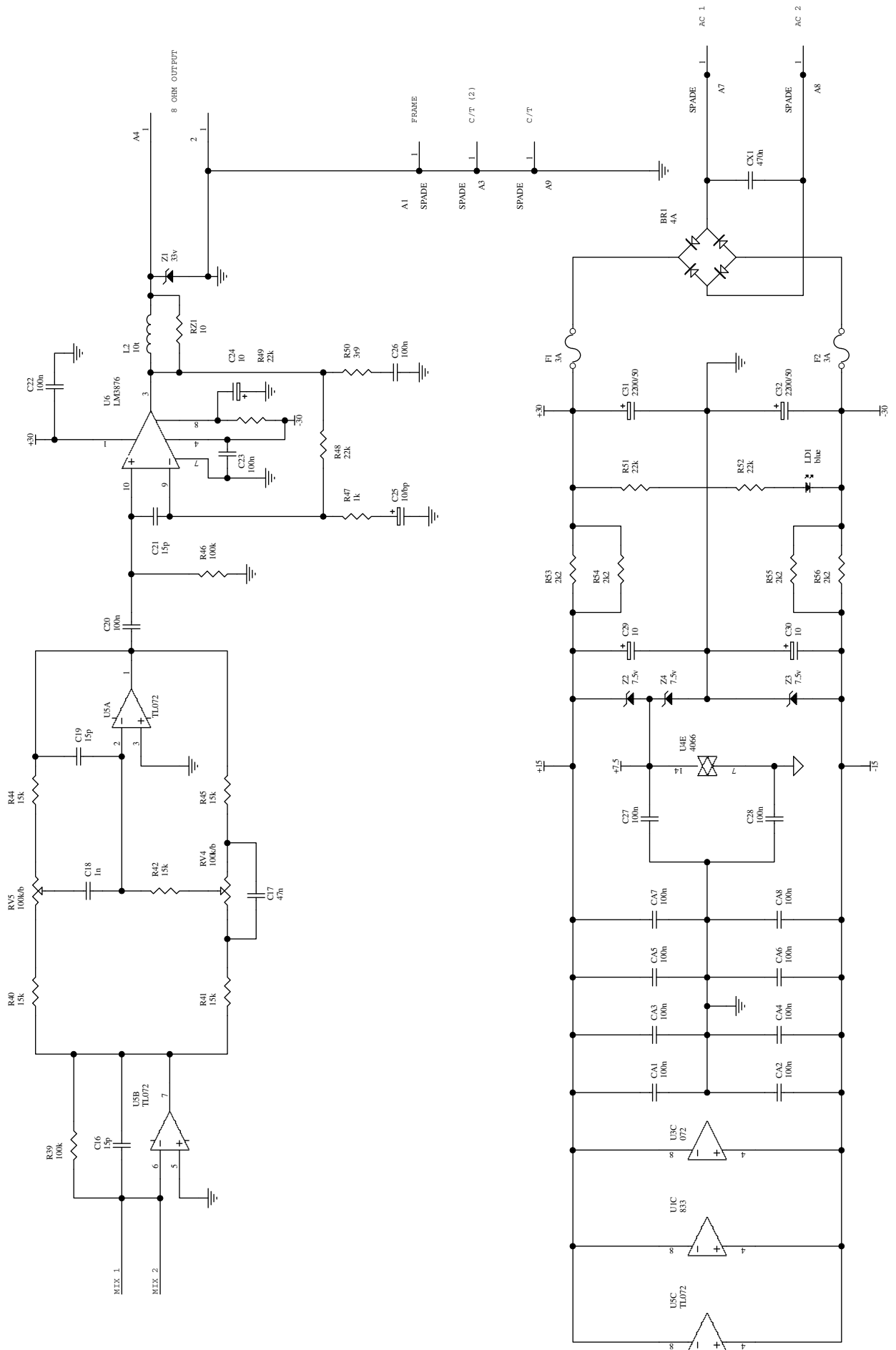
Distributed by Altronic Distributors Pty. Ltd. Perth. Western Australia.
Phone: 1300 780 999 Fax: 1300 790 999
Internet: www.altronics.com.au

Proudly Assembled in Australia

REDBACK A 4020 30 Watt Amplifier



REDBACK A 4020 30 Watt Amplifier



REDBACK A 4020 30 Watt Amplifier

SPECIFICATIONS

Power output:30 watts RMS
Distortion:< 0.5% @ 1kHz
Output line:100V

SIGNAL TO NOISE RATIO

All volume controls min, typically 72dB below rated output. All inputs display same S/N ratio.

FREQUENCY RESPONSE

Mic:52Hz - 10kHz, -3dB
Line:40Hz - 10kHz, -3dB

INPUT SENSITIVITY

Mic input:2.6mV balanced
Line inputs:150mV

CONTROLS

Volume 1:Controls mic 1 / line 1
Volume 2:Controls line 2
Bass:±10dB @ 100Hz
Treble:±13dB @ 10kHz
Power:On/off switch

OUTPUT CONNECTORS

Speakers:Screw terminals

MUTING

VOX only (-79dB)

INPUT CONNECTORS

Mic input:3 pin XLR balanced
Line inputs:RCA stereo socket, bridged mono
240V AC power:IEC power connector
Power supply:240V AC
Indicators:Power
Fuse protection:500mA AC
3A x 2 DC internal
Size:300W x 220D x 74H mm
Weight:≈4.8kg
Colour:Black

TROUBLE SHOOTING

NO POWER

(Power LED light does not illuminate)

Check mains fuse. Only replace with M205, 240V AC 0.5A rated fuse.

DISTORTED OUTPUT

Check that the speaker type is correct for the output that you are using. Check for any short circuits on the speaker line.

VERY LOW OUTPUT

Make sure that the input is the correct level (check for shorted connectors). Check for any short circuits on the speaker line.

CONTINUALLY BLOWS FUSES

Make sure that the speaker line is not shorted. Check also speaker types, ratings and if on correct output.

AMPLIFIER KEEPS ON CUTTING IN & OUT

Make sure that there is adequate ventilation around the amplifier. Check the vent slots on the case are not covered or blocked. Check also speaker types, ratings and for any short circuits on the speaker line.

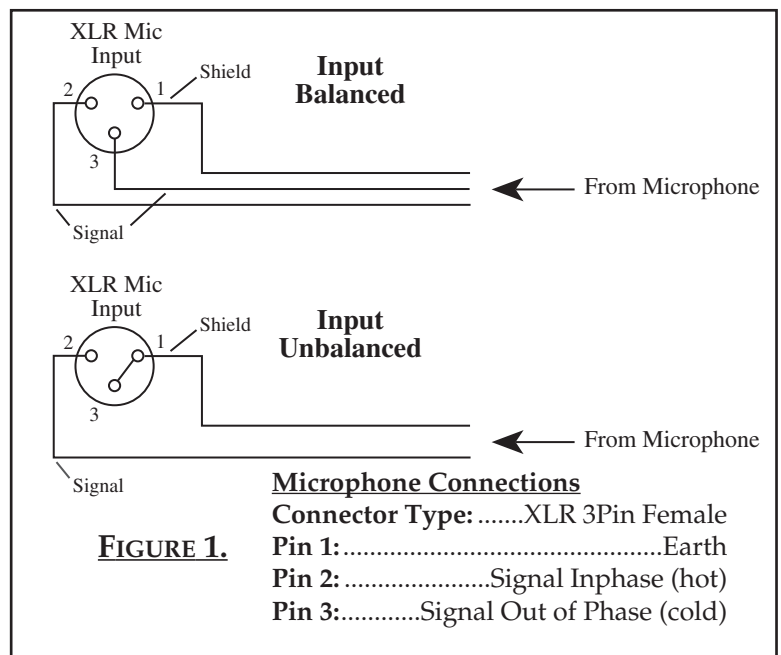


FIGURE 1.